

The Veritas® Router Plane is an invaluable tool for work on stop or through dadoes, grooves, or any work that requires an area cut to a precise depth. This is the perfect tool for cleaning out areas for hardware installation, or inlay or intarsia work, allowing you to work with a great degree of control. The spring-loaded blade-clamping collar holds the blade in position when the collar is loosened and provides tactile feedback for controlled blade depth adjustment. The collar can also be made to fully release for quick and easy blade removal or reorientation. The blade can be positioned in front of the post for general work, behind the post for bullnose applications or laterally (left or right) for work on hinge gains.

The ductile cast iron body has been accurately machined and ground flat. The large wooden knobs are positioned to provide both comfort and excellent control. The optional fence (05P38.07) can be positioned on either side of the plane and will work on both straight and curved workpieces.

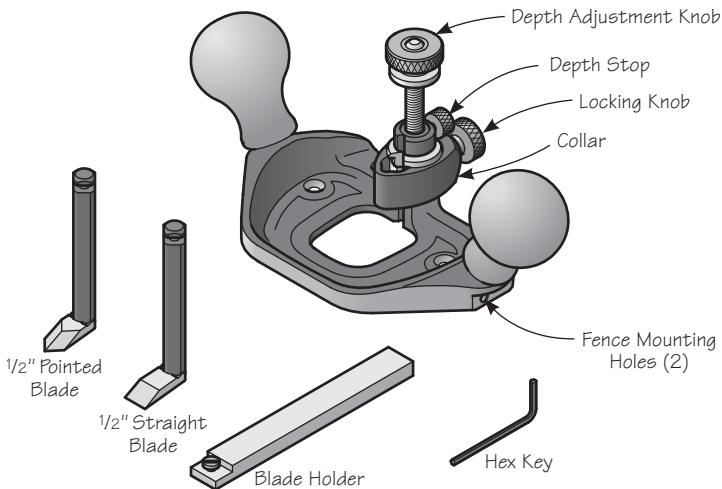


Figure 1: Router plane components.

Blade Attachment

⚠ Caution: Be aware that the blades are sharp; careless handling can result in serious injury.

The plane comes equipped with two blades: a 1/2" straight and a 1/2" pointed (for final smoothing). All blades mount into the plane in the same manner. Back off the locking knob and press it forward to depress the internal spring. Feed the blade up through the collar from the bottom

of the plane, engage the slot at the top of the blade with the flange at the base of the depth adjustment knob, and secure by tightening the locking knob. If the blade slot does not engage with the adjustment knob, back off the locking knob until it does.

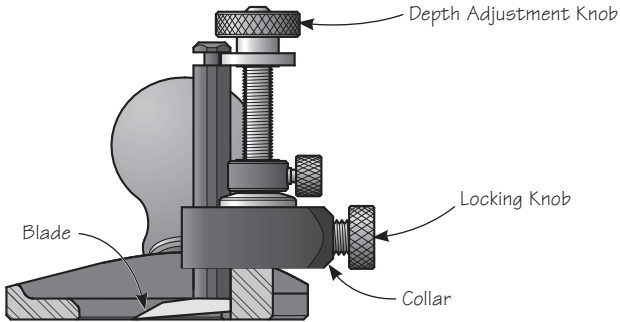


Figure 2: Blade attachment.

The blade can be positioned on the router plane in any one of four settings.

- In the front for general work,
- on the back of the post for bullnose work,
- on the back and facing left or right for lateral applications.*

**Note: Applies only to 1/2" blades, not optional smaller blades.*

To change the blade location from front to back, loosen the locking knob until the top of the blade tilts away and disengages from the depth adjustment knob. Withdraw the blade from the bottom of the plane. Rotate the collar and reinsert the blade up through the bottom of the plane and collar.

When mounted on the back of the plane, the blade can be reorientated to face left, right or forward by simply releasing the locking knob and rotating the blade to the desired position within the collar.

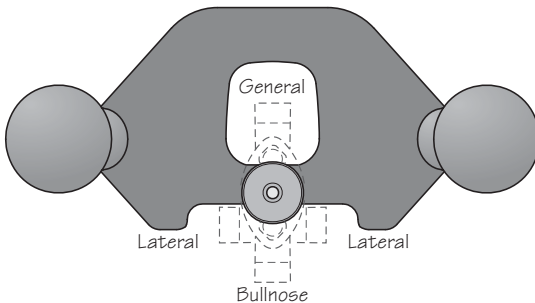


Figure 3: Blade orientation.

Blade Adjustment

The blade depth is regulated by a fine screw feed that travels $\frac{1}{32}$ " per turn for precision adjustment with the resulting depth of cut controlled by the depth stop. The blade can be adjusted to a depth of 1".

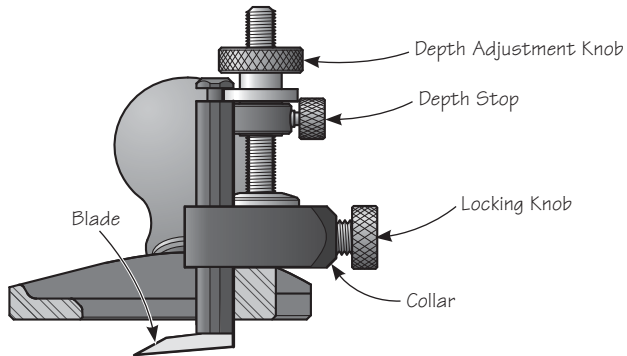


Figure 4: Depth stop.

Release the clamping pressure by backing off the locking knob a quarter turn. (Spring pressure will be maintained to prevent the blade from falling free while allowing it to be adjusted.) Turn the depth adjustment knob to advance or retract the blade as required. Reclamp the blade by tightening the locking knob.

With the blade set to the desired depth, raise the depth stop* until it contacts the underside of the depth adjustment knob, then tighten the knob.

**Note: If the depth stop prevents the blade from travelling to the desired setting, you may have to first lower it.*

Use the depth adjustment knob to return the blade to its starting position. Check the depth stop knob and retighten if required. Advance the blade ever so slightly with each successive cut by loosening the locking knob, adjusting the depth as described above and retightening the locking knob, until the depth adjustment knob encounters the depth stop.

Blade Sharpening

For ease of sharpening either the 1/2" straight or the 1/2" pointed blade, the blade portion may be removed from the shaft. Whether removing or reattaching the blade, be very careful of the sharp edge. **Do not** hold the blade shaft in your hand while loosening or tightening the set screw. Clamp the shaft in a vise or hold it down on a flat surface, as shown in **Figure 5**. Remove the set screw that secures the blade portion to the shaft with the supplied hex key.

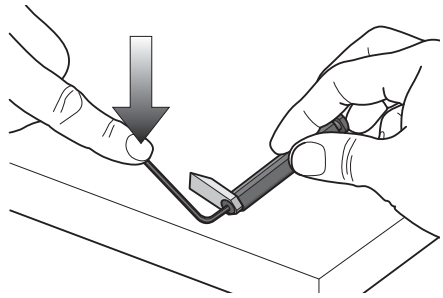


Figure 5: Removing blade from shaft.

Attach the blade to the holder with the small screw provided. The blade holder can be mounted in a honing guide or used for sharpening by hand. Hone the bevel as illustrated in **Figure 6** or **7**, and flip over to lap the back.

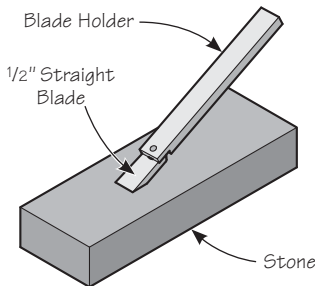


Figure 6: Honing the 1/2" straight blade.

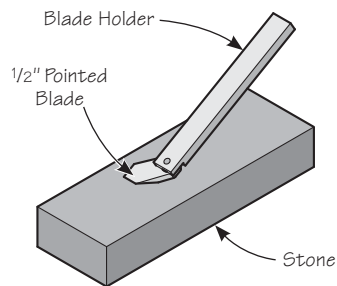


Figure 7: Honing the 1/2" pointed blade.

Auxiliary Base

The base of the router plane comes with two countersunk holes so that you can attach a larger shop-made base with #10 screws. The maximum depth of cut of the plane will be reduced by the thickness of the base being used.

The optional fence cannot be used when an auxiliary base is mounted on the router plane; however, a strip of wood attached to the auxiliary base can serve as a fence.

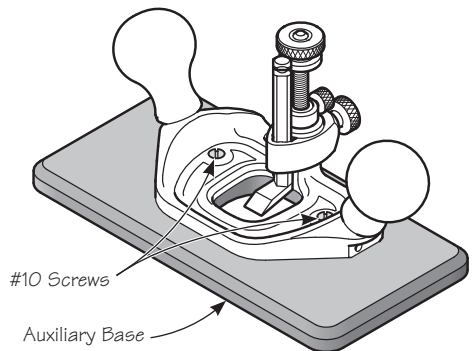


Figure 8: Auxiliary base.

Care and Maintenance

The body of this plane is ductile cast iron and comes treated with rust preventative. Remove this using a rag dampened with mineral spirits. Clean all machined surfaces.

We recommend that you initially, then periodically, apply a light coat of silicone-free paste wax to seal out moisture and prevent rusting (as well as act as a lubricant for smoother planing). Wipe off any wood dust from the surfaces that you will be waxing, apply a light wax coating, let dry, then buff with a clean soft cloth. At the same time, the solvents in the wax will remove any harmful oils left from your fingers that can lead to corrosion. This is especially important with planes that are gripped on the machined surfaces.

If storage conditions are damp or humid, the plane should, in addition to the treatment outlined above, be wrapped in a cloth or stored in a plane sack. This precaution will also guard against dings and scratches.

Accessories

- 05P38.21** 1/16" Narrow Straight Blade
- 05P38.23** 3/32" Narrow Straight Blade
- 05P38.24** 1/8" (3mm) Narrow Straight Blade
- 05P38.26** 3/16" Narrow Straight Blade
- 05P38.03** 1/4" Narrow Straight Blade
- 05P38.04** 1/2" Wide Straight Blade
- 05P38.05** 1/2" Wide Pointed Blade
- 05P38.71** 3/4" Wide Straight Blade
- 05P38.32** 2mm Narrow Straight Blade
- 05P38.34** 4mm Narrow Straight Blade
- 05P38.35** 5mm Narrow Straight Blade
- 05P38.36** 6mm Narrow Straight Blade

- 05P38.07** Optional Router Plane Fence
- 05P38.10** Handle Hardware Kit for Router Plane
- 05P38.45** Inlay Cutter Head for Router Plane
- 05K11.10** Replacement Blade for Inlay Cutter Head